



300

Rotor Material: Aluminum Die-casting

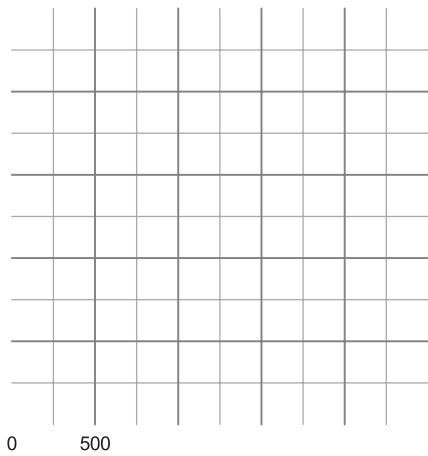
Impeller Material: Carbon Steel

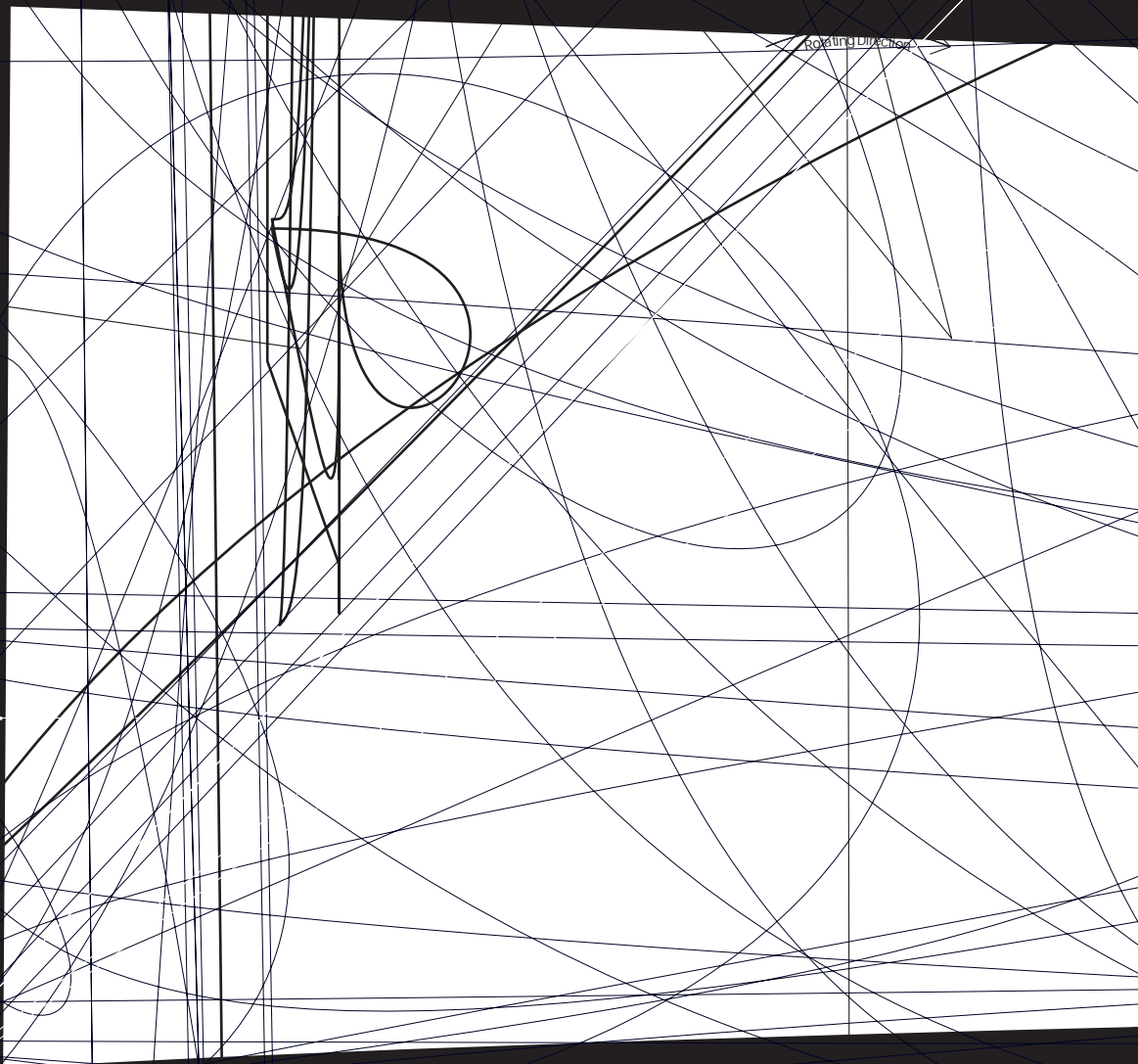
Ingress Protection: IP44

Insulation Class: F

Bearing Type:
Maintenance Free Ball Bearing

Performance Curves





Conv. Steel Blade Axial



Conventional Carbon Steel Blade Axial Fan

Type D

pe

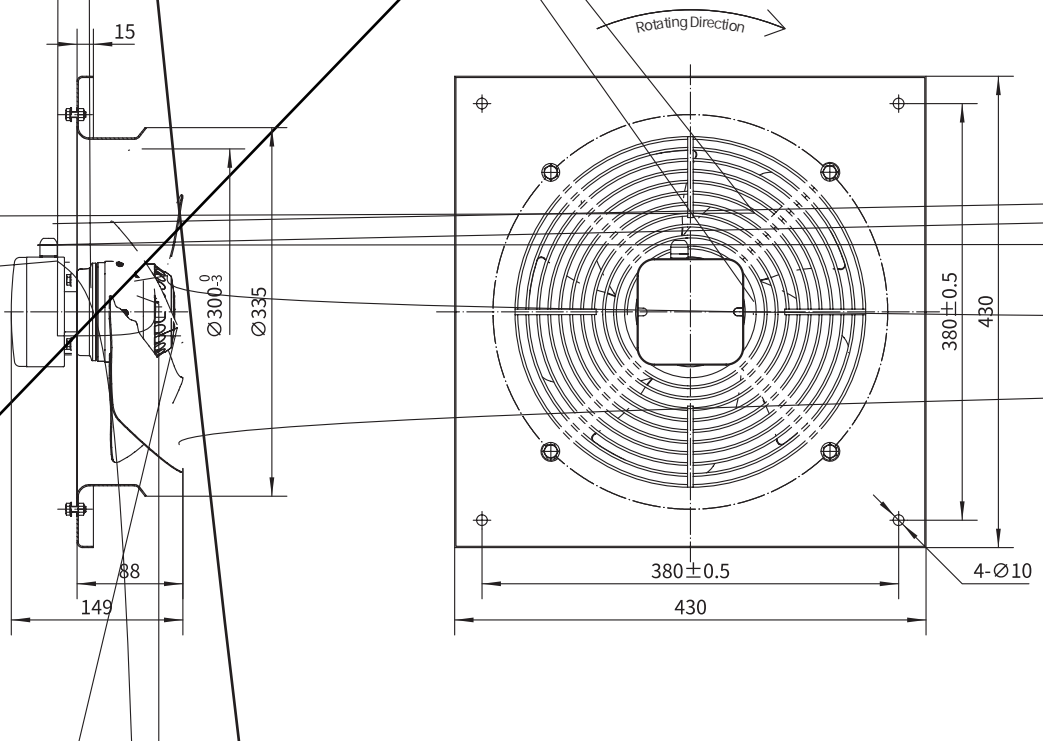


5a` hW f[a` S^5ScTa` EfW4`SVW3j [S^8S`

300

8"

FkbW8"



Conv. Steel Blade Axial