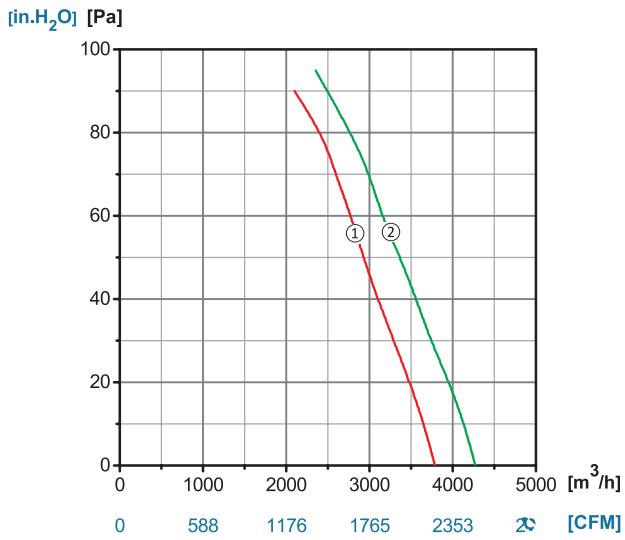




400

子材 Rotor Material :
叶材 Impeller Material :
护 Ingress Protection:
Insulation Class:
轴承型 Bearing Type:

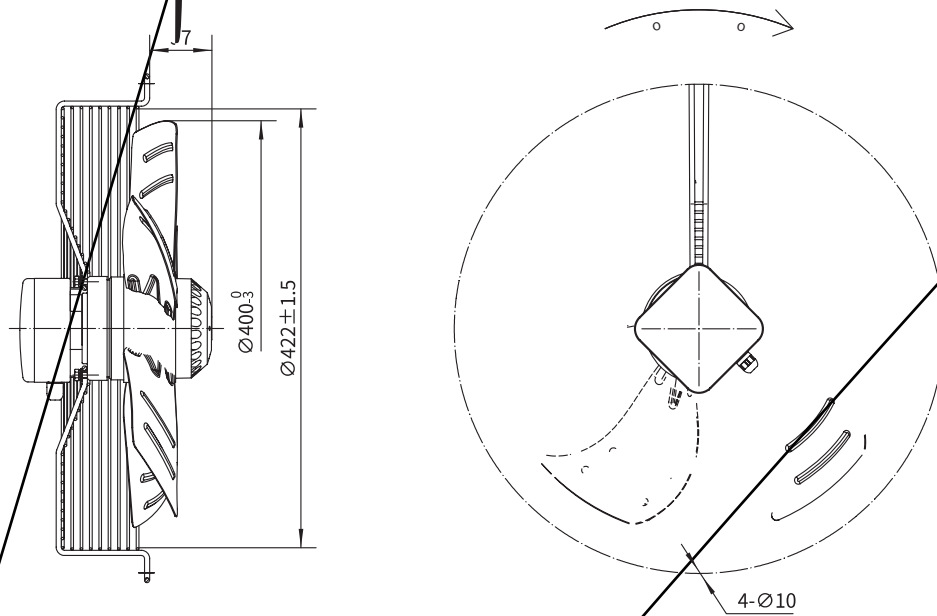
Performance Curves







D Type D



E Type E



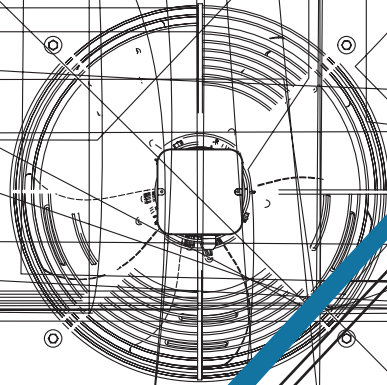
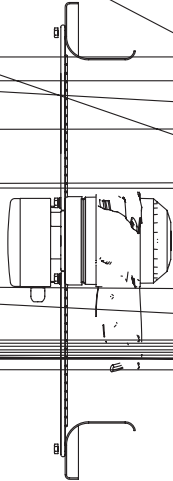


5a` hW f[a` S^5SdTa` EfVV4`SVW3j [S^8S`

400

8'

FkbW8'



8#

FkbW8#

