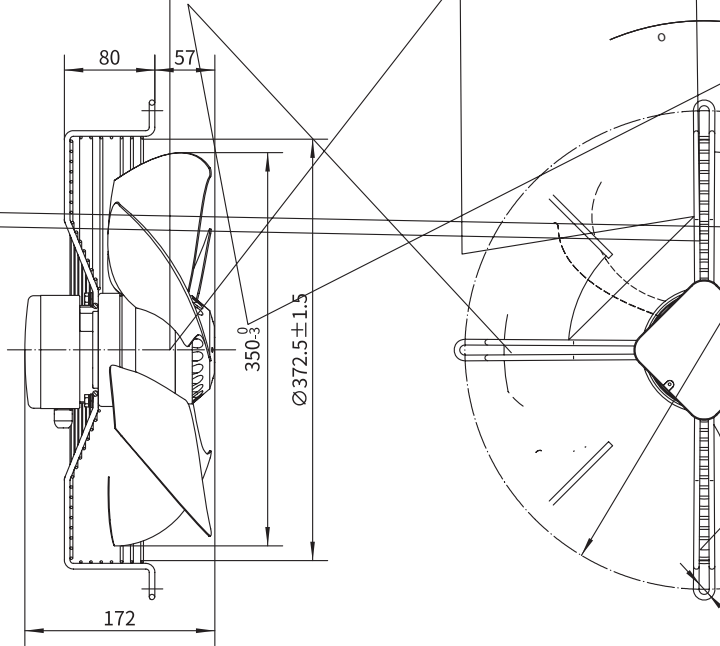
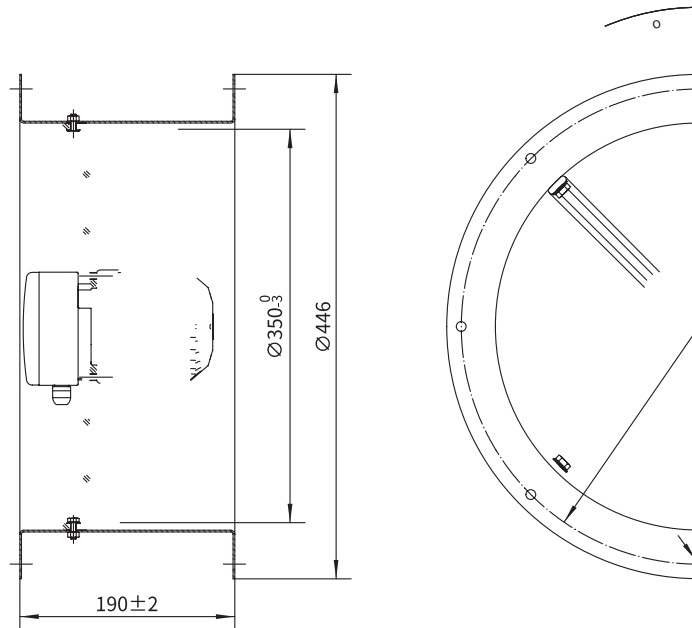


Conventional Carbon Steel Blade Axial Fan

Type D



Type E



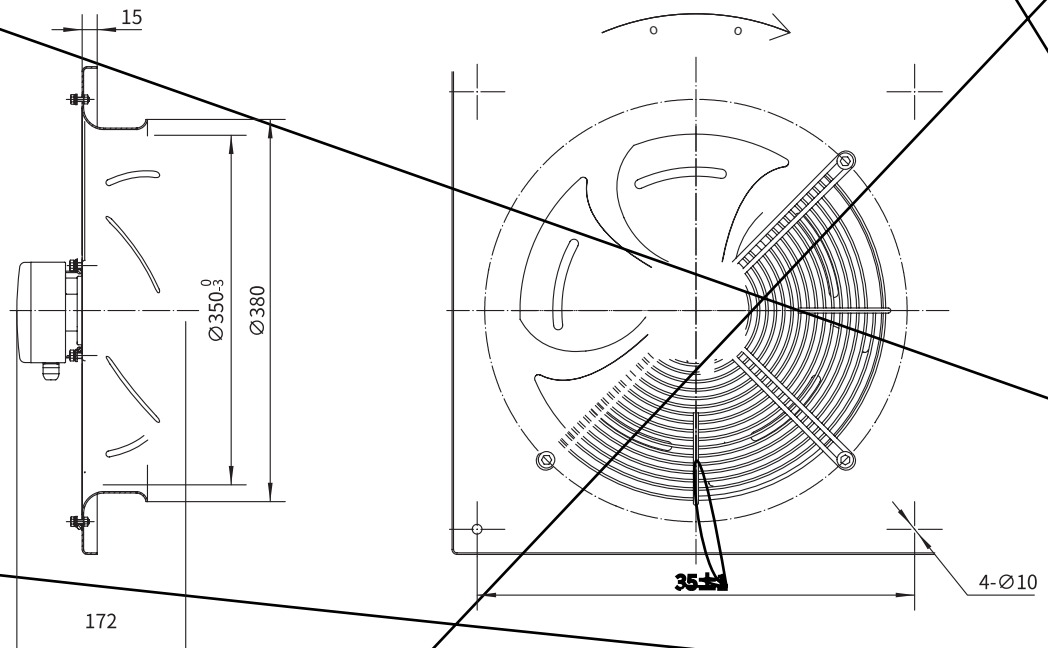


5a` hW f[a` S^5SdT a` EfWV4`SVW3j [S^8S`

350

8"

FkbW8"



Conv. Stee B ade Ax a

