

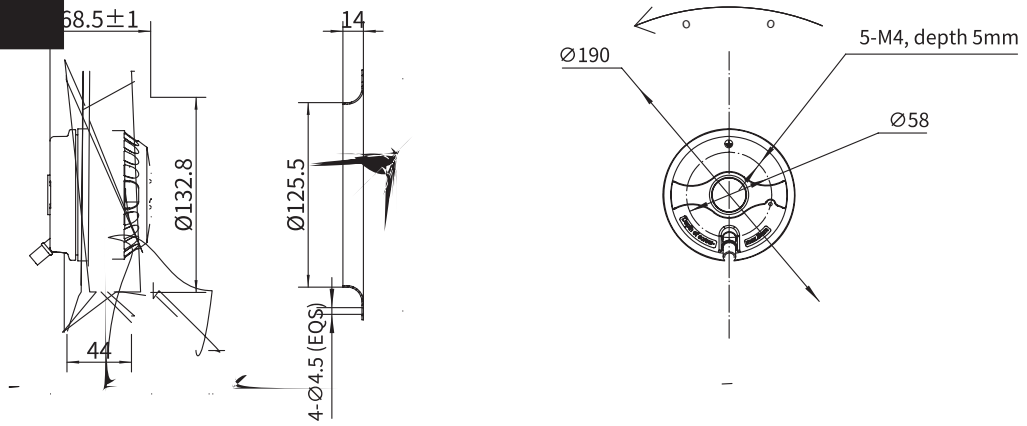


Backward Curved Centrifugal Fan with Conventional Plastic Impeller

190

R M :
I M :
I P :
I C :
B T :

Technical Drawings



Performance Curves

[in.H₂O] [P]

