



500

Rotor Material: Aluminum Die-casting

Impeller Material: Plastic

Ingress Protection: IP54

Insulation Class: F

Bearing Type:

Maintenance Free Ball Bearing

Performance Curves

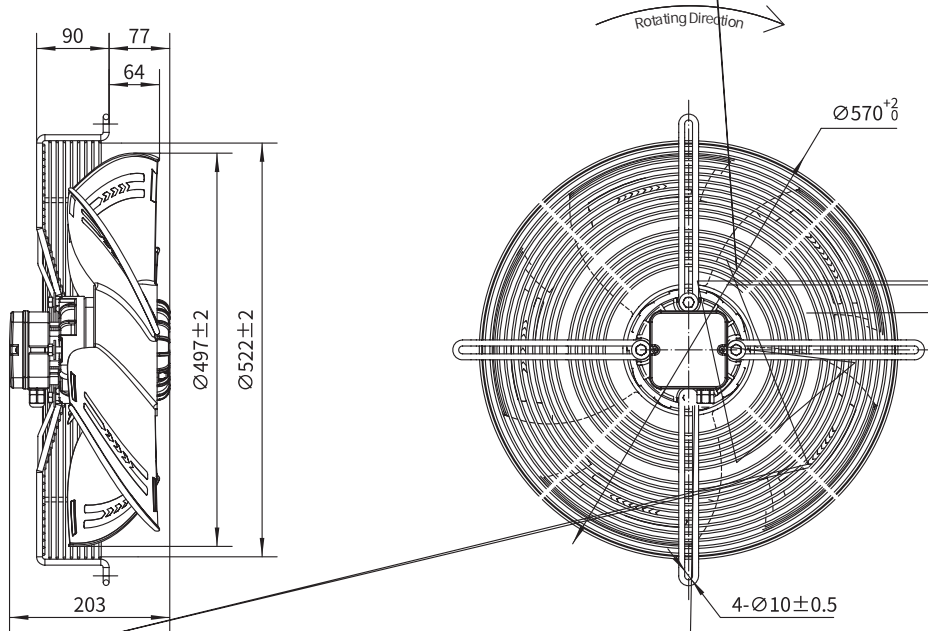




Plastic Airfoil Blade Axial Fan

500

D Type D





Plastic Airfoil Blade Axial Fan

500

FO

Type FO

