



# 450

Rotor Material: Aluminum Die-casting

Impeller Material: Carbon Steel

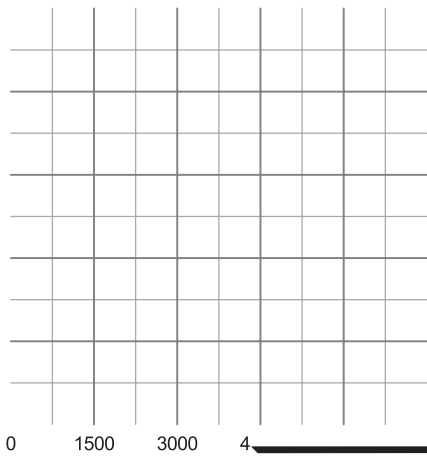
Ingress Protection: IP54

Insulation Class: F

Bearing Type:

Maintenance Free Ball Bearing

## Performance Curves

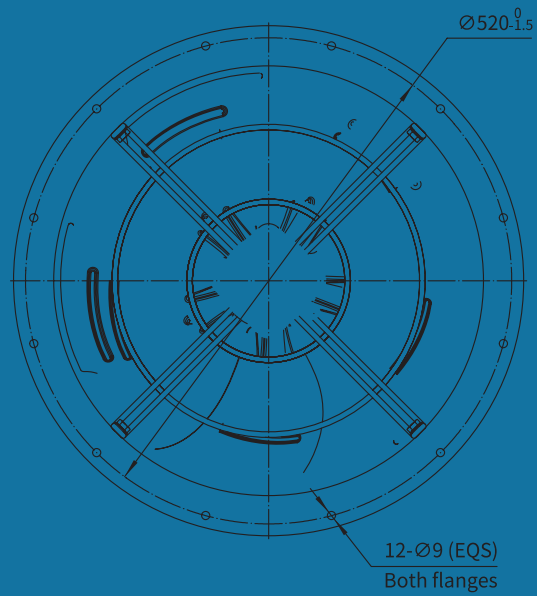
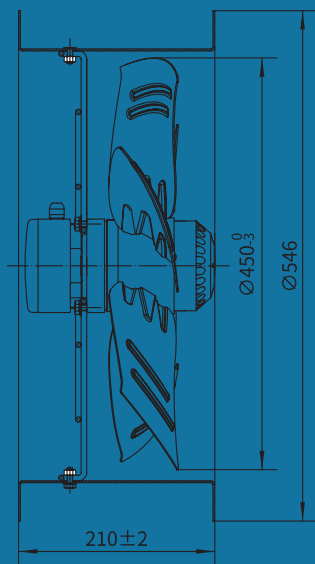
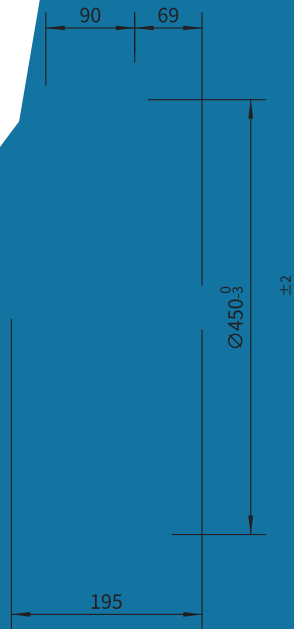






tional Bl

50





5a` hWf[a` S

8'

FkbW8'

